



SpringTM

Thank you for choosing Wanda SpringTM
You've made a great decision
See inside to get started



How to set up your Wanda Spring

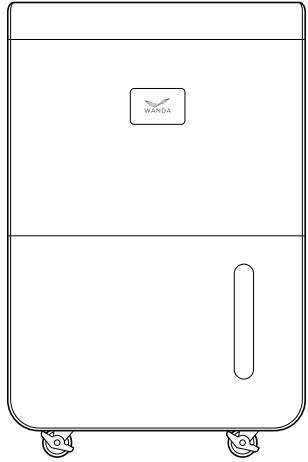
Wanda Spring™

Be in control of your water supply

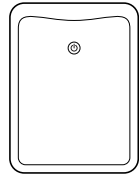
Follow the simple guidance below on how to set up your Spring, and start collecting great water!



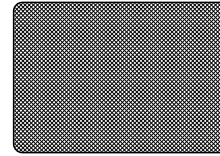
1. What's included



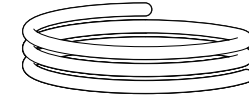
1 x Wanda Spring



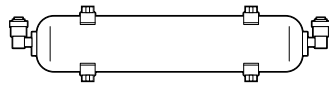
1 x step-up transformer*



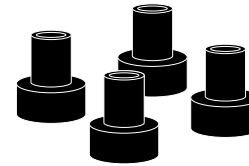
1 x complimentary air filter (installed)



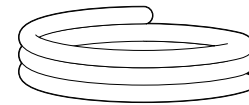
1 x narrow tube (pump outlet)



2 x complimentary water filters (installed)



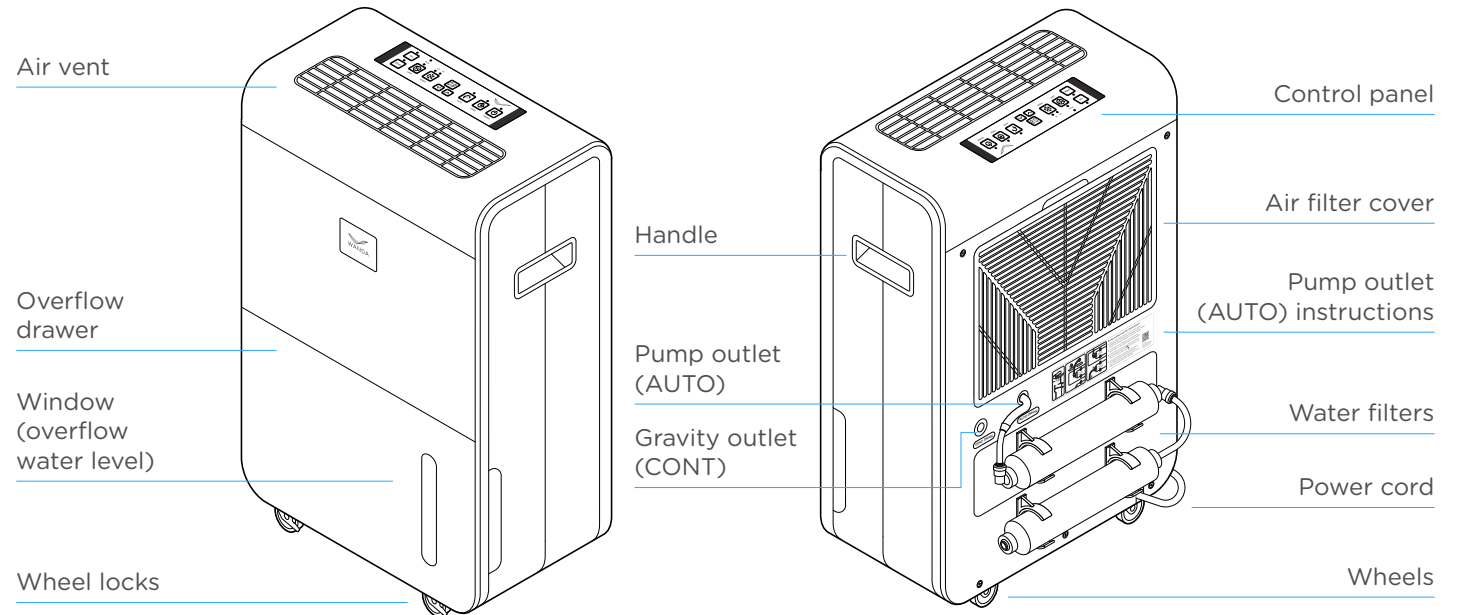
4 x black stoppers



1 x wide tube (gravity outlet)



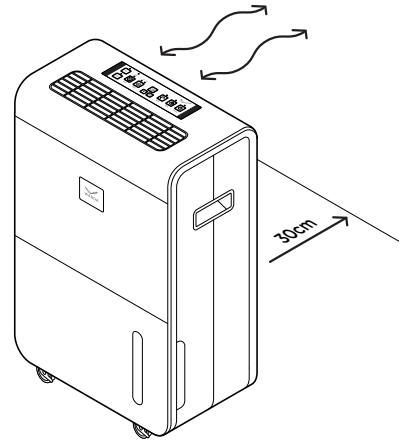
Always use the supplied step-up transformer when operating the unit, unless you have access to a 220V socket.



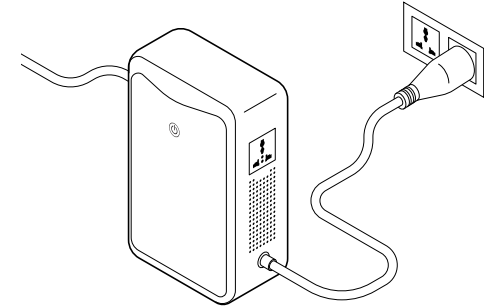
2. Quick set up



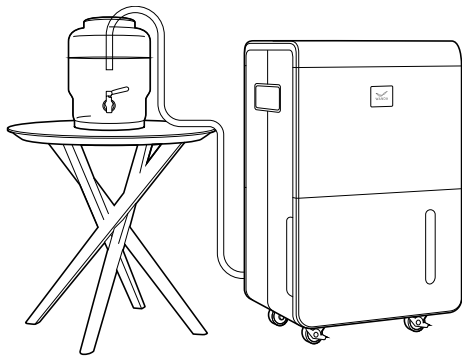
- 1 Please wait six hours after unpacking before using your new Wanda Spring.



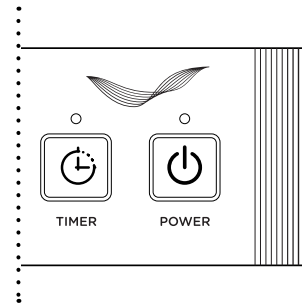
- 2 Ensure your Spring is placed on a flat and stable surface, away from flammable materials, and in an area with free air flow.



- 3 Connect the power cable to the supplied step-up transformer (or directly into a 220V socket).



- 4 Place the end of the narrow tube into your chosen water vessel, eg, a five gallon drum.



- 5 Turn your Spring on using the POWER button. The DRAIN indicator light will show green.



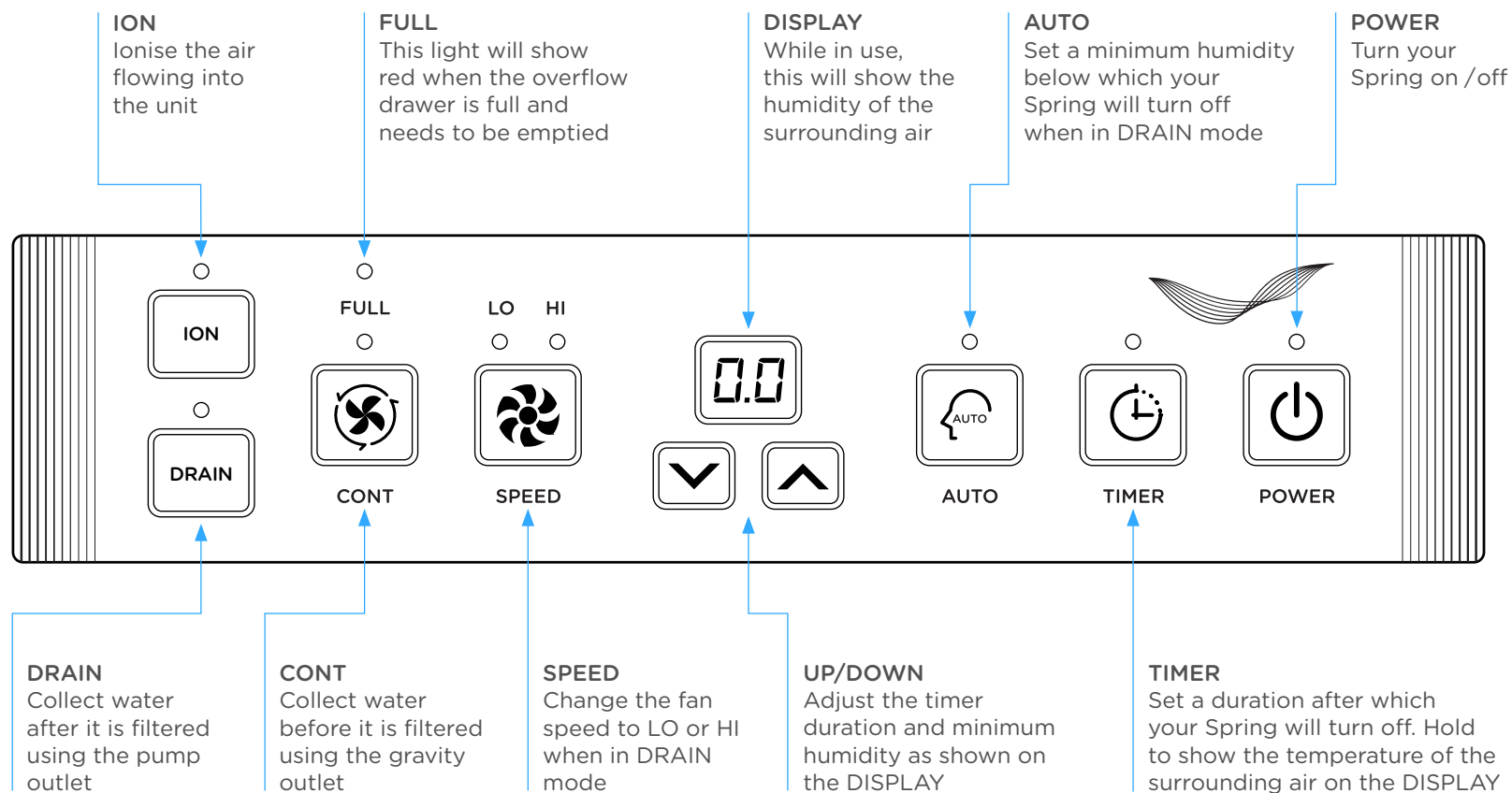
- 6 Your Spring will take up to 20 minutes to start producing water depending on the temperature and humidity of the surrounding air.

You're ready to make great water!

3. Operating instructions

Control panel overview

Operate your Spring using the control panel on the top of the unit. Please read the following instructions before using your Spring, and use this diagram as a reference.



3. Operating instructions

Timer

Use the timer feature to choose how many hours Wanda Spring will collect water before turning off automatically. This is useful if you need to leave the unit unattended, or would like it to operate for a few hours overnight.

Humidity

Wanda Spring works best at 86°F (30°C) and 80% RH. Choose to limit operation at lower levels so your unit only collects water when it's most efficient. This feature works by setting a minimum humidity level you would like it to operate at.

Temperature sensor

Check the surrounding temperature is suitable for efficient water collection using Wanda Spring's in-built sensor.

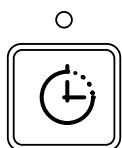


To cancel the timer, press TIMER again.

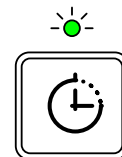
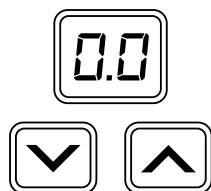


The display will show temperature in degrees celsius. Wanda Spring works best at 30°C, which is equivalent to 86°F.

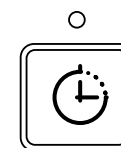
Timer



TIMER



TIMER



TIMER

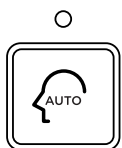
1 To set an operating duration, press TIMER.

2 The DISPLAY will show '0.0'. Use the UP/DOWN buttons to adjust the number of hours you'd like your unit to operate for.

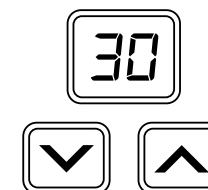
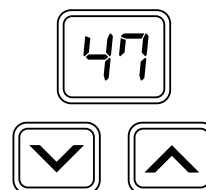
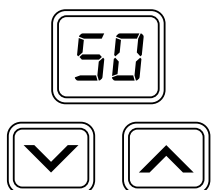
3 While the timer is on, the green indicator light will show.

4 When the end of the timer is reached, your Spring will stop collecting water.

Humidity



AUTO



1 To set a minimum humidity level for operation, press AUTO.

2 The DISPLAY will show the current humidity level of the surrounding air. Use the UP / DOWN buttons to choose a minimum.

3 Below the set minimum, your Spring will pause water collection.

1 To show the surrounding temperature on the DISPLAY, press and hold TIMER. Release after a few seconds.

Temperature sensor

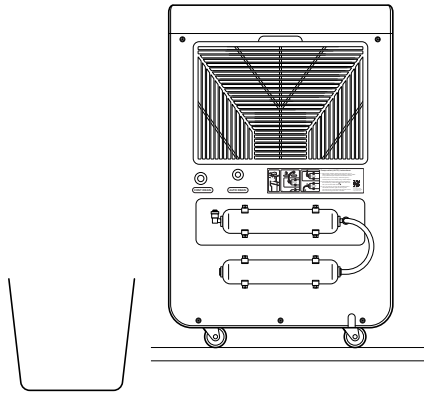
3. Operating instructions

Alternative collection method – gravity outlet

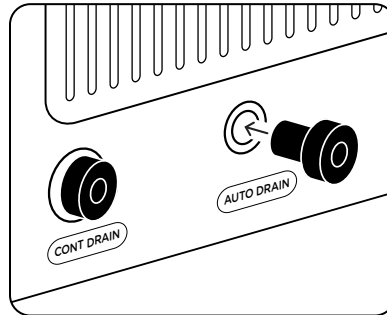
If you would like to collect water from your Spring before it is filtered, you can choose to use the gravity outlet (CONT) instead of the default pump outlet (AUTO). Turn your unit off and follow the steps below to set it up for this alternative water collection method.



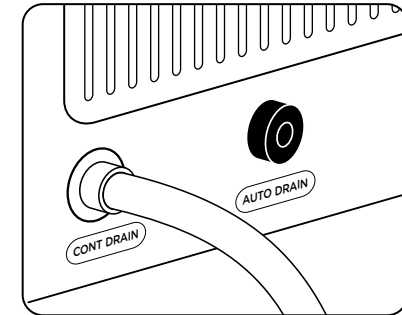
Your Spring will continue collecting water until it is turned off or the end of a set timer is reached.



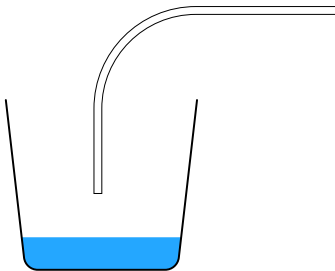
- 1 In order for this method to work, your Spring must be placed on a higher level than your chosen water vessel.



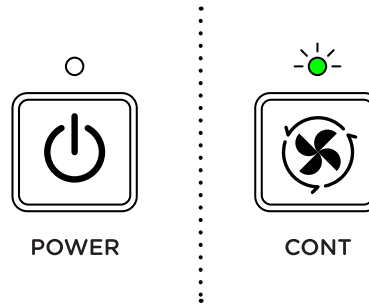
- 2 Remove the filter tube from the pump outlet (AUTO) and seal the outlet using one of the black stoppers provided.



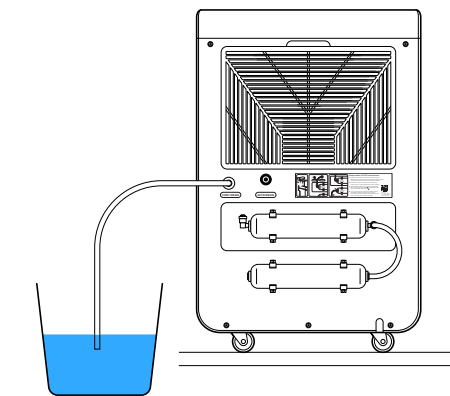
- 3 Remove the black stopper from the gravity outlet (CONT) and firmly attach the wide tube.



- 4 Place the other end of the wide tube into your chosen water vessel.



- 5 Turn your Spring on using the POWER button, then press CONT. The green indicator light will show.



- 6 Your Spring will continuously drain water through the wide tube into your chosen water vessel.

4. Troubleshooting

If your Spring is not functioning correctly, start by working through this checklist of common issues.

Certain conditions can trigger a code to appear on the display. The key ones are summarised here.

If the suggestions listed do not address the issue please get in touch.

Contact details

WhatsApp 863-799-2654
hello@wanda-water.com
glen@wanda-water.com



New Wanda Spring units are covered by a 12-month warranty – see section five for more details.

Checklist



The gravity outlet (CONT) on the back of your Spring is properly sealed.



The emergency outlet inside the overflow drawer is properly sealed.



The narrow tube is firmly attached to the water filter.



The filter tube is firmly attached to the pump outlet (AUTO).



The filter tube is properly attached to the water filter (remove and replace to hear a 'click').

Display codes

Very low or high temperatures and humidity levels may trigger one of the following codes to be shown on the display. We recommend turning Wanda Spring off when these are shown and trying again later. If conditions have returned to the acceptable range, your unit will work as normal.

TL

Displayed when the surrounding temperature drops below 41°F (5°C)

TH

Displayed when the surrounding temperature is more than 100°F (38°C)

LO

Displayed when humidity drops below 20% RH

HI

Displayed when humidity exceeds 92% RH

E

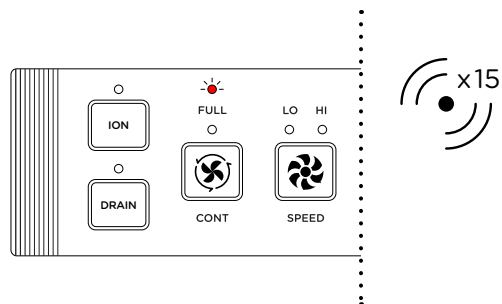
Display codes beginning with 'E' indicate an error with the unit. In the unlikely event of one of these codes being shown, please get in touch.



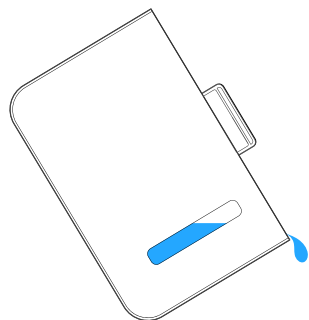
4. Troubleshooting

Overflow drawer — how to access the emergency outlet

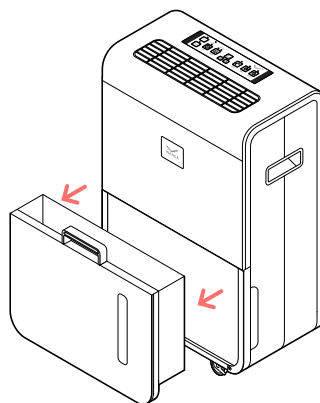
If for any reason the water captured by your Spring cannot exit the unit, the emergency outlet will open and the excess water will be drained into the overflow drawer. To remove and empty the drawer, follow the steps below.



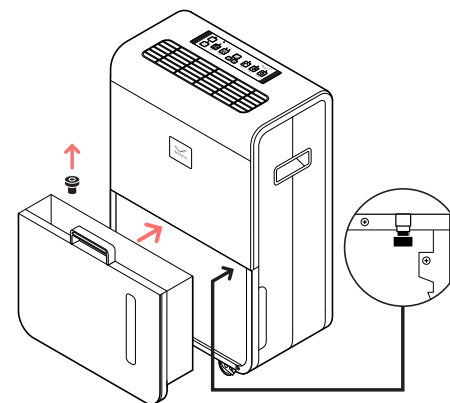
- 1 When the overflow drawer is full, a beep will sound 15 times and your Spring will stop collecting water. On the control panel, the FULL indicator light will show red.



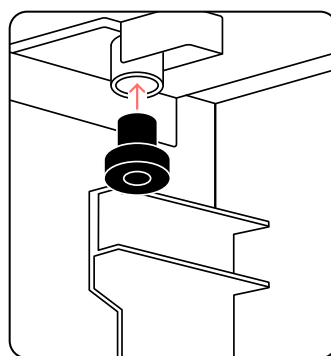
- 4 Carefully pour the water out of the drawer (we recommend using a funnel or a container with a wide opening).



- 2 To remove the overflow drawer, press inwards from both sides and slowly pull outwards.



- 3 Locate the black stopper, which may have fallen into the drawer, and put it aside.



- 5 Once empty, seal the emergency outlet using the black stopper and replace the drawer.

- ⚠ A beep will sound when the overflow drawer is removed, and the unit will not work until it is replaced. Do not remove the float inside the drawer.

5. Maintenance

General

Wanda Spring requires little maintenance.

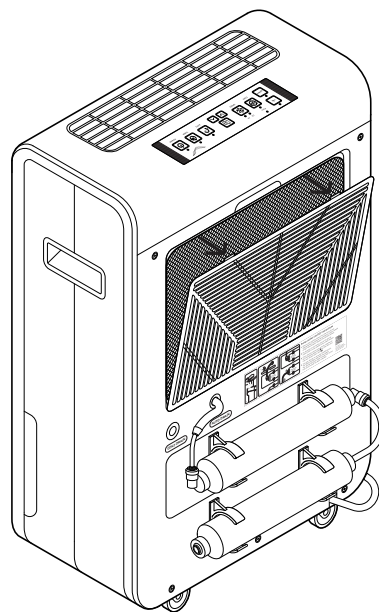
Once a week Clean the narrow and wide tubes, overflow drawer and air filter with cold water.

Once a year Replace the air and water filters on the back of your Spring.

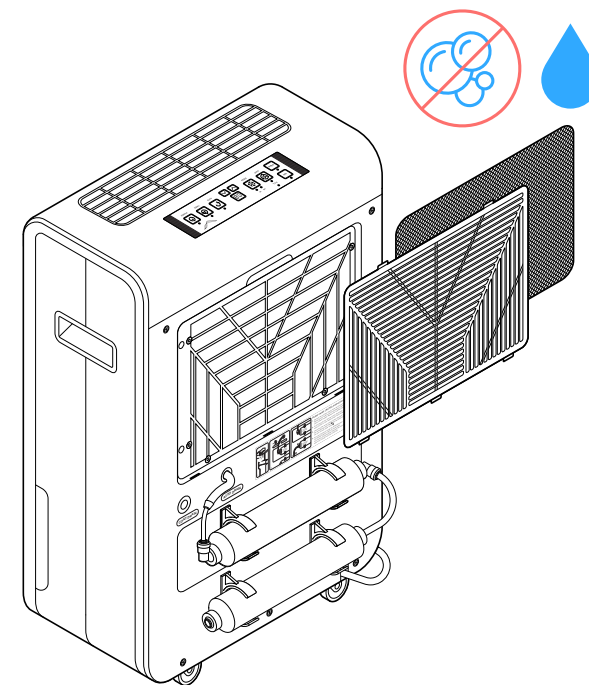
Storage

If you decide to store your Spring for a while, clean the narrow and wide tubes, overflow drawer, and air filter, and keep the unit in a warm, dry place.

Cleaning the air filter



1 On the back of your Spring, gently remove the air filter cover and take the air filter out of the cover.



2 Rinse the air filter with cold water — do not use detergent. Wait until the air filter is dry before inserting it back into the cover. Replace the air filter cover on the back of your Spring (*step 1 in reverse*).



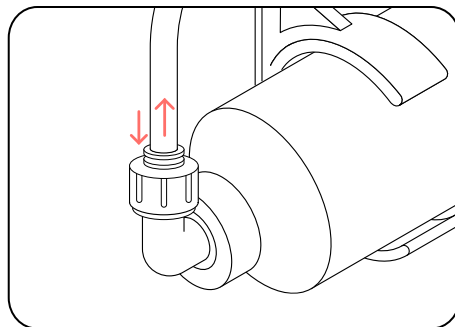
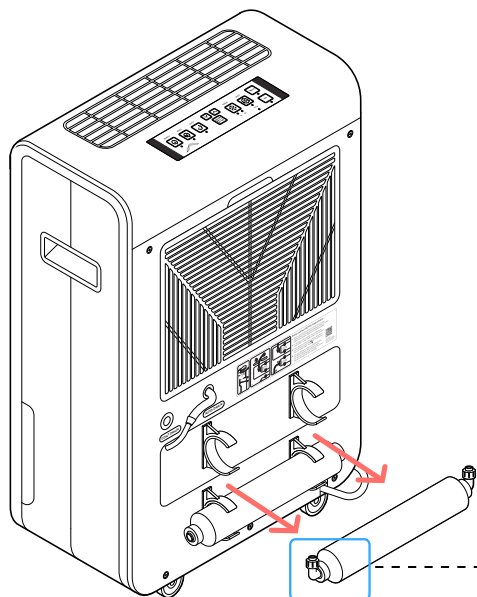
Warranty information

All new units come with a 12-month warranty against defect or faulty workmanship (provided services are booked and performed by Wanda). Wanda Water LLC is not responsible for, and the warranty does not cover, failure of equipment due to: abuse, misuse, or vandalism; power failures, dips, surges, or lightning strikes; lack of maintenance, housekeeping, misuse and/or abuse of equipment; bacterial contamination; or any reason other than those stated above.

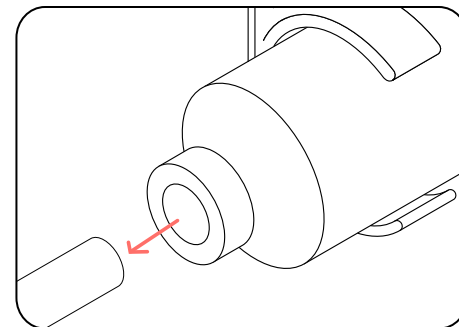
5. Maintenance

Replacing the water filters

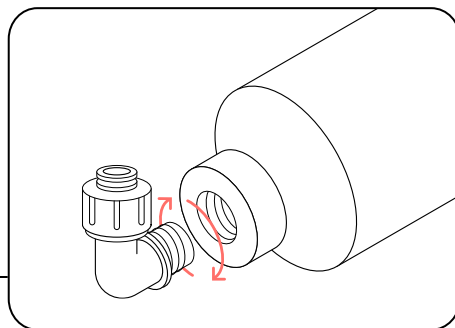
This only needs to be done once a year.



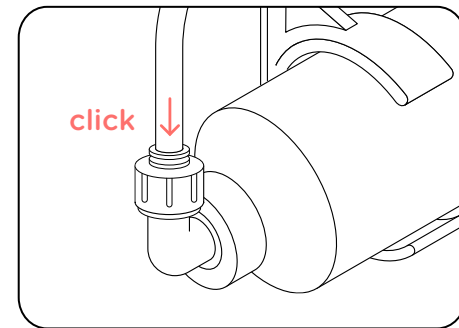
- 1 Remove the tubes from the purifying water filter (top) by simultaneously pushing the pressure lock down and gently pulling the tube outwards. *Do not use force.*



- 2 Remove the tubes from the mineralizing water filter (bottom) by holding the connection and gently pulling them outwards. *Do not use force.*



- 4 Unscrew the elbow connectors from the purifying water filter and screw them into its replacement as needed. Insert both new filters into the brackets.




- 5 Re-attach the tubes by pushing the ends in gently until they click, or up to about 19mm.

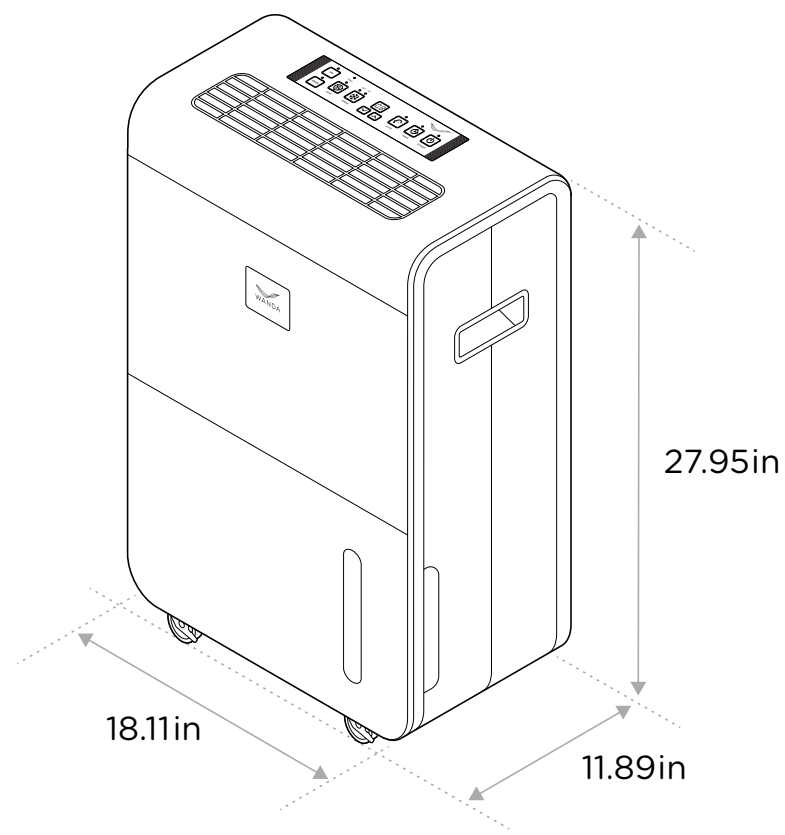
- 3 After removing the tubes from both filters, carefully pull them out of the brackets.

6. Safety

- Always switch your Spring on or off by pressing the POWER button, not at the socket.
- Disconnect your Spring from the power supply when not in use.
- Disconnect your Spring from the power supply before any maintenance.
- Do not use your Spring if the power cord is damaged.
- Do not insert objects into the air outlet on the top of your Spring.
- Keep children and pets away from your Spring while in use.
- Only use your Spring outdoors when in a covered area.
- Do not submerge your Spring in water.
- Do not sit on or lean against your Spring.
- Ensure the overflow drawer is empty before moving your Spring.
- Lock the wheels once your Spring is in position.

7. Specifications

Model	Wanda Spring
Weight	59.5lb (27kg)
Dimensions	18.1 x 11.8 x 27.9in (46.0 x 30.2 x 71.0cm)
Maximum production	Up to 18 gallons (70L) per day at 86°F (30°C) and 80% RH
Overflow drawer capacity	2.16 gallons (8.2L)
Operating sound level	≥54dB
Voltage	220V / 50Hz (110V transformer)  Always use the supplied step-up transformer when operating the unit
Operating power	640W
Rated power	700W
Maximum power	820W
Rated current	3.2A
Maximum current	3.8A
Maximum condensing pressure	3.6MPa
Maximum evaporating pressure	1.2MPa
Refrigerant	R410 / 420g
Fuse size	F type, 2A, 250V
Air filter	+R750



8. Contact

Glen Scharer

WhatsApp: 863-799-2654

Phone: +1 (863) 255-8227

hello@wanda-water.com

glen@wanda-water.com

